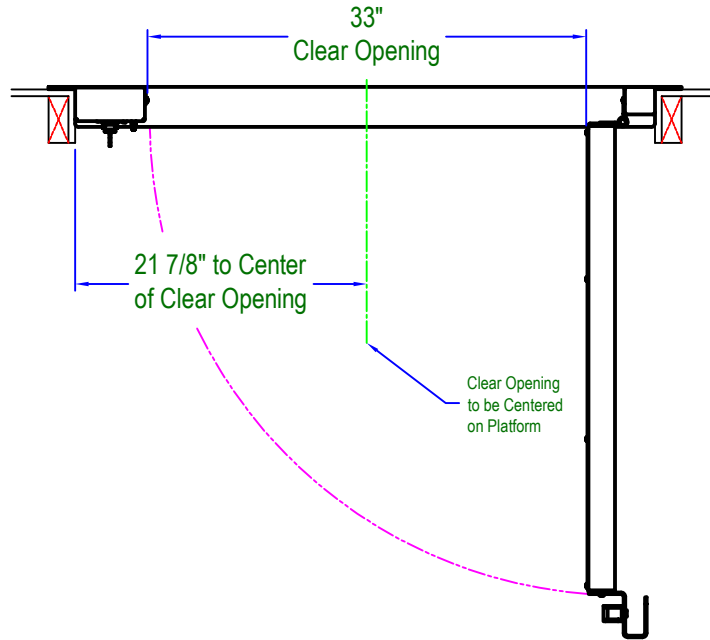
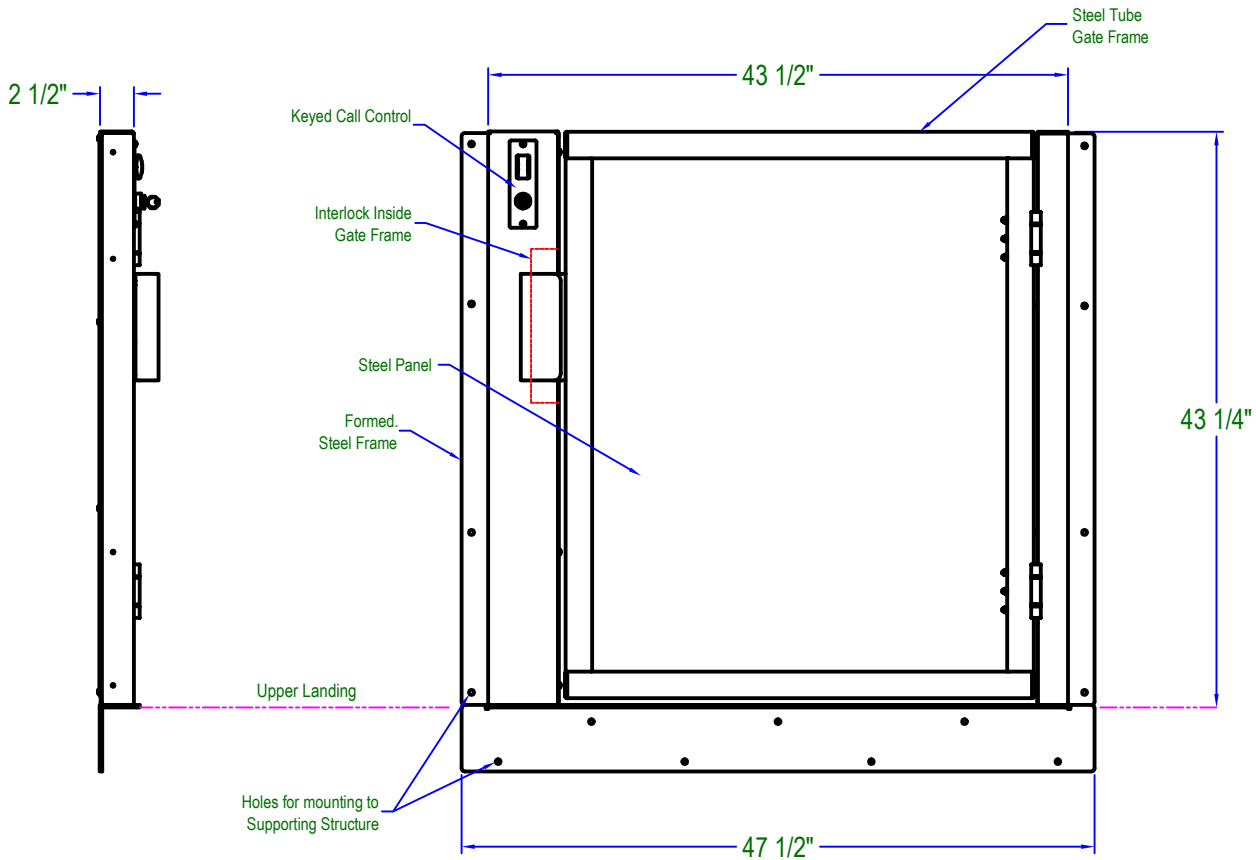


Platform Side



Plan View



Side View

Front View from Landing

**Top Landing Gate Details**

DATE

BY

REVISION DESCRIPTION

REV

**AmeriGlide**

This drawing is furnished only for informational purposes on a confidential basis, and neither the drawing or items thereon are to be reproduced or used in any manner.

|                                 |            |                |         |      |
|---------------------------------|------------|----------------|---------|------|
| DEALER:                         |            | CUSTOMER:      |         | REV: |
| PRODUCT: Vertical Platform Lift |            | DATE: 04/02/09 |         |      |
| PRAWN: TB                       | SCALE: NTS | SHEET:         | SIZE: A | REV: |
| Drawing No. LH GATE             |            | SHEET:         |         |      |