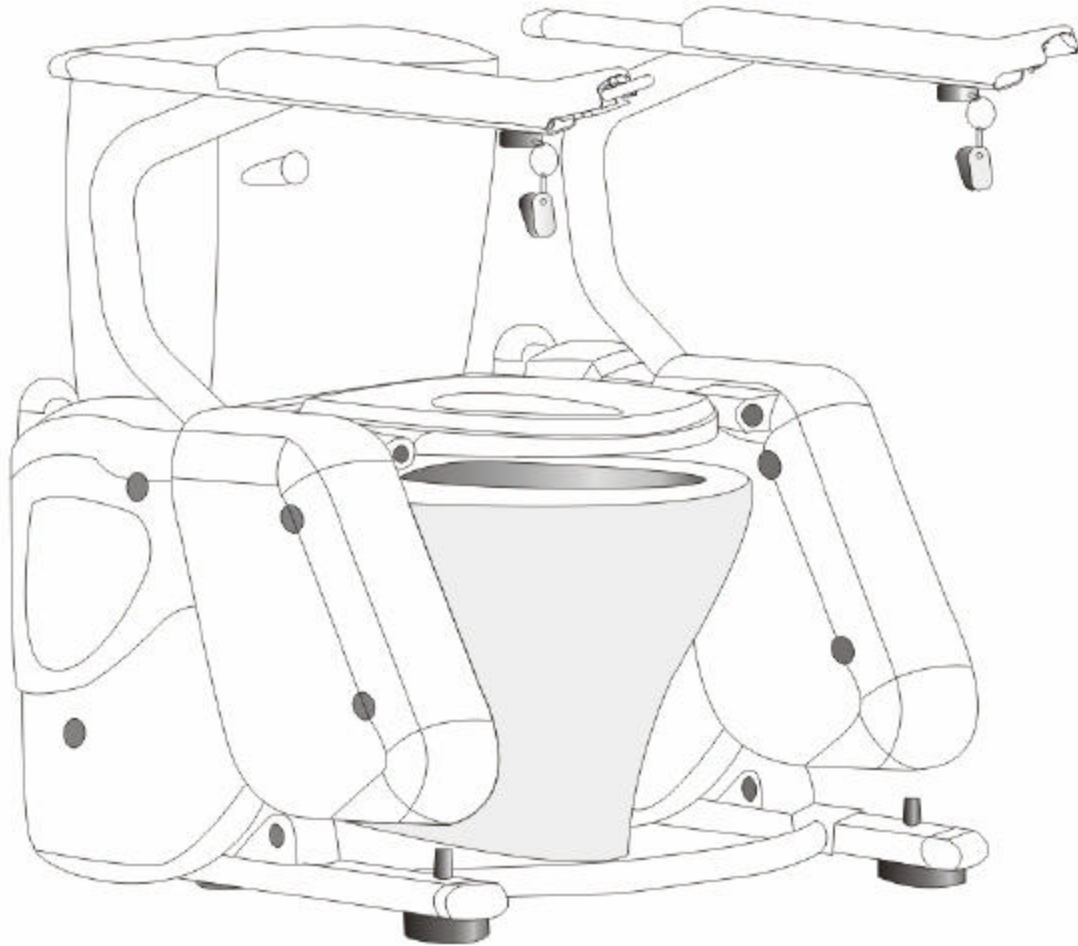


APEXLIFT[®]
CARIANA
COMMODE SEAT LIFT
OWNER'S MANUAL



ATTENTION: This Owner's Manual contains information regarding the operator's safety. Carefully read the contents of this manual. Become familiar with the contents and procedures before operating the ApexLift[®] Cariana Commode Seat Lift.



P/N: C-CSL-OM112002

Published by
Apex Dynamics Healthcare Products, L.L.C.
310 West Hightower Drive
Suite 105
Dawsonville, GA 30534
U. S. A.

Telephone Number: 706-265-4024
Fax: Number: 706-265-6367
Toll Free: 1-800-742-0453
E-mail: info@apexdynamics.com
Web Site: www.apexdynamics.com

Copyright © Apex Dynamics Healthcare Products, L.L.C. 2002



SAFETY INSTRUCTIONS

The ApexLift[®] Cariana reflects an innovative state of the art design to increase user mobility. The Cariana will provide years of service if it is properly cared for, as any piece of electrical/mechanical equipment would require.

Please pay attention to the following important information regarding the care, maintenance, and operation of the ApexLift[®] Cariana (Transformer or Battery Operated) Commode Seat Lift. Please read these instructions carefully and thoroughly before assembling the lifter, or attempting to lift any user with the device. Please note the following:

- Special care must be taken with users who cannot provide assistance **for** themselves while being lowered or lifted (i.e. users who are spastic, agitated, or otherwise severely handicapped.).
- The ApexLift[®] Cariana should be used solely for lowering a user from an upright standing position, to a sitting position, or in reverse order.
- Always keep the user being lifted centered from side to side, over the lift seat.
- **The maximum weight that can be safely lifted is 330 pounds.**

The ApexLift[®] Cariana allows a person to be lifted and lowered safely with minimum physical effort provided by the caregiver or user. Before attempting to lift anyone, please practice operating the lift. Also prior to use, explain the lifting and lowering procedures to the user.

WARNING!

DO NOT ATTEMPT TO LOWER OR LIFT A USER WITHOUT PRIOR APPROVAL OF THE USER'S NURSE. ALSO, DO NOT LOWER OR LIFT WITHOUT HAVING STUDIED THE INSTRUCTIONS THOROUGHLY AND PERFORMED A PRACTICE OR DEMONSTRATION OPERATING THE PRODUCT. THE USER'S DOCTOR, NURSE, OR MEDICAL ATTENDANT SHOULD BE PRESENT WHEN THE PRACTICE OR DEMONSTRATION TAKES PLACE. NEVER INTERFERE WITH THE SEAT LIFT, UNLESS INSTRUCTED BY THE ATTENDANT. HAVE A DOCTOR, NURSE, MEDICAL ATTENDANT, OR FAMILY MEMBER (EXPERIENCED WITH USING THE APEXLIFT[®] CARIANA) PRESENT DURING THE FIRST FEW TIMES THE SEAT LIFT IS USED TO RAISE OR LOWER A NEW USER.

WARNING!

AVOID PERSONAL INJURY BY MAKING CERTAIN NO CHILDREN OR PETS ARE NEAR THE CARIANA WHILE IT IS IN OPERATION/MOTION.

WARNING!

AVOID PERSONAL INJURY BY KEEPING ALL EXTREMITIES (FINGERS, ARMS, LEGS, AND FEET) CLEAR OF THE CARIANA LIFT MECHANISM WHILE IT IS IN OPERATION.

WARNING!

AVOID PERSONAL INJURY AND POSSIBLE DAMAGE TO THE CARIANA BY NOT EXCEEDING THE MAXIMUM WEIGHT LIMIT.

WARNING!

AVOID PERSONAL INJURY FROM ELECTRICAL SHOCK BY MAKING CERTAIN NO STANDING WATER OR PLUMBING LEAKS FROM THE COMMUNE, OR NEARBY FACILITIES, ARE IN THE AREA.

WARNING!

AVOID PERSONAL INJURY BY MAKING CERTAIN THE ELECTRICAL CONNECTOR IS DISCONNECTED BEFORE ATTEMPTING ANY ELECTRICAL INSPECTION. CONTACT YOUR DEALER IF ANY ELECTRICAL PROBLEM IS FOUND.

CAUTION

AVOID DAMAGE TO THE CARIANA BY KEEPING FOREIGN OBJECTS COMPLETELY AWAY FROM THE LIFT MECHANISM.

NOTE

For smooth operation of the unit, arrange all necessary items prior to use (lift, slings, chair or wheelchair). The person using the seat lift should be positioned in the center from side to side, before being lowered or raised.

ASSEMBLY AND INSTALLATION

ASSEMBLY

To assemble the Cariana Commode Seat Lift, accomplish all procedures in accordance with the following:

- Step 1.** Remove all components from the shipping container. Verify that all components listed on the shipping list are included. Said components should consist of: The Assembled Frame, Control Box Bracket, Control Box, Transformer, Armrests, Commode Seat, and Corresponding Hardware. If the optional battery pack/- charger was purchased, the transformer will not be included. If the unit was ordered with the optional rolling casters, the adjustable feet will not be included with the unit.
- Step 2.** Determine which side the transformer/control box and control arm are to be mounted. Refer to the DESCRIPTION AND OPERATION section of this manual to determine placement of the transformer/control box and control arm (for one side or the other). If the optional battery pack is being installed in place of the transformer/control, omit the remainder of this step and accomplish step 2a. Hang the transformer/control box and mount bracket on the back of the lift frame mount stud as shown in Figure A-1. Omit step 2a.

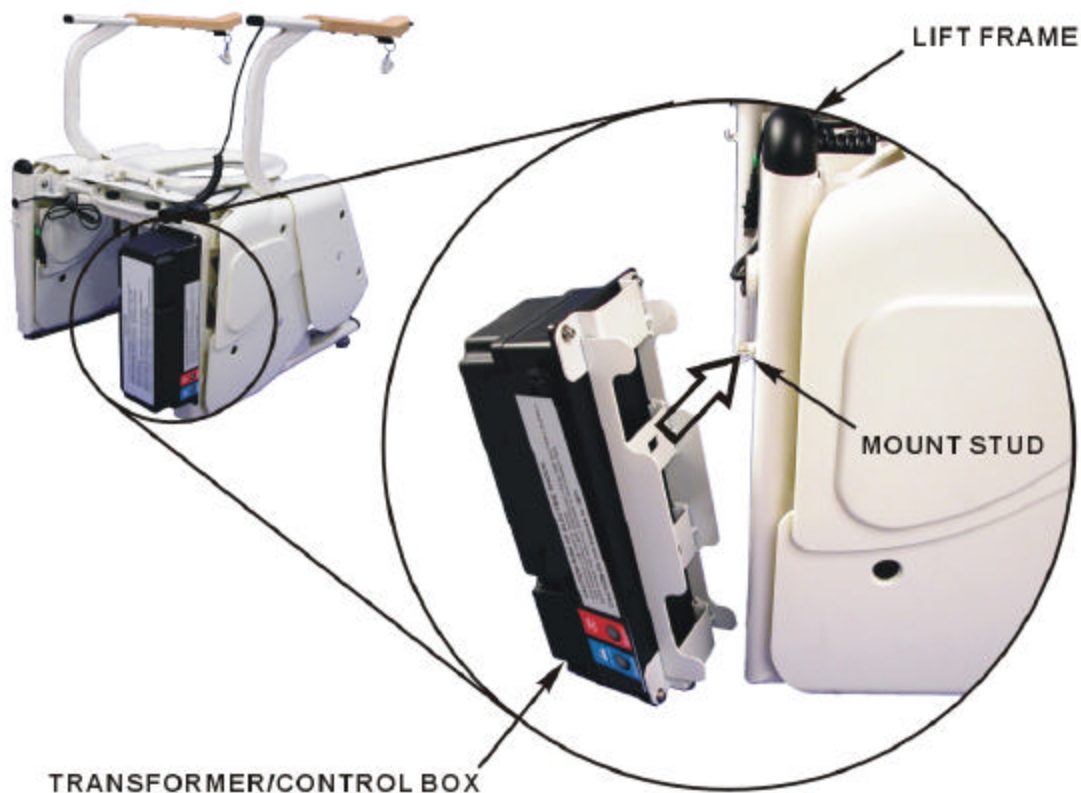


Figure A-1. Transformer/Control Box Mounting

APEXLIFT[®] Cariana Commode Seat Lift

Step 2a. Hang the control box mount bracket on the back of the lift frame mount stud as shown in Figure A-2. Place the control box inside the mount bracket with the three control connector ports running from back to front, along the right, on top of the control box.

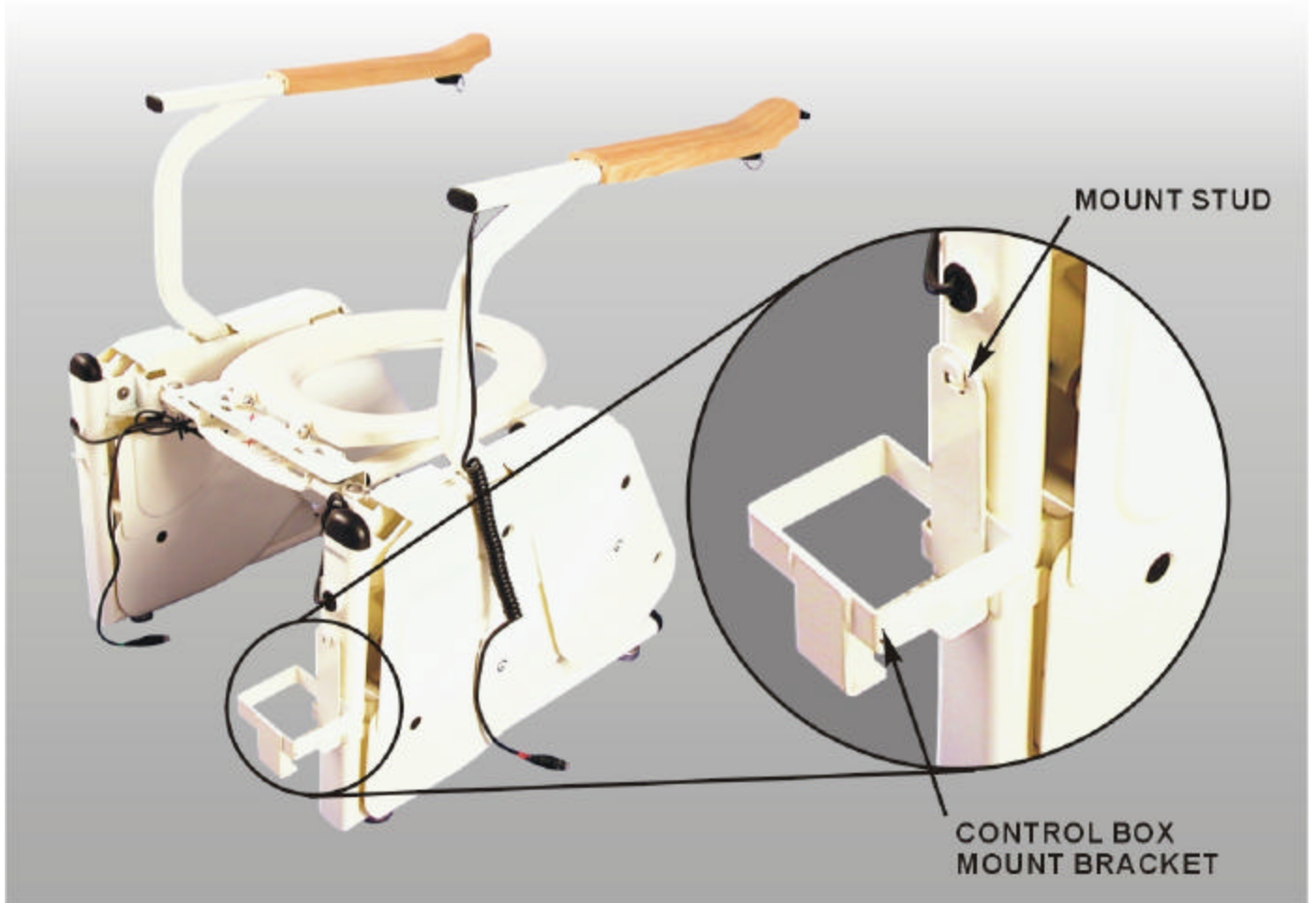


Figure A-2. Battery Operated Control Box Mount Bracket

Step 3. For the optional battery control box, omit this step, and accomplish step 3a. For the transformer/control box, connect the right actuator cable to the third connector port from the top of the control box. Push any actuator cable slack back into the side housing. Omit step 3a.

Step 3a. For the optional battery control box, connect the right actuator cable to the front connector port on the top of the control box. Push any actuator cable slack into the side housing.

APEXLIFT[®] Cariana Commode Seat Lift

- Step 4.** For the optional battery control box, omit this step, and accomplish step 4a. For the transformer/control box, connect the left actuator cable to the second connector port from the top of the control box. Push any actuator cable slack back into the side housing. Omit step 4a.
- Step 4a.** For the optional battery control box, connect the left actuator cable to the back connector port on the top of the control box. Push any actuator cable slack back into the side housing.
- Step 5.** Position each armrest into its mount. Make certain the armrest with the control cable is positioned on the predetermined side, as shown in Figure A-3.

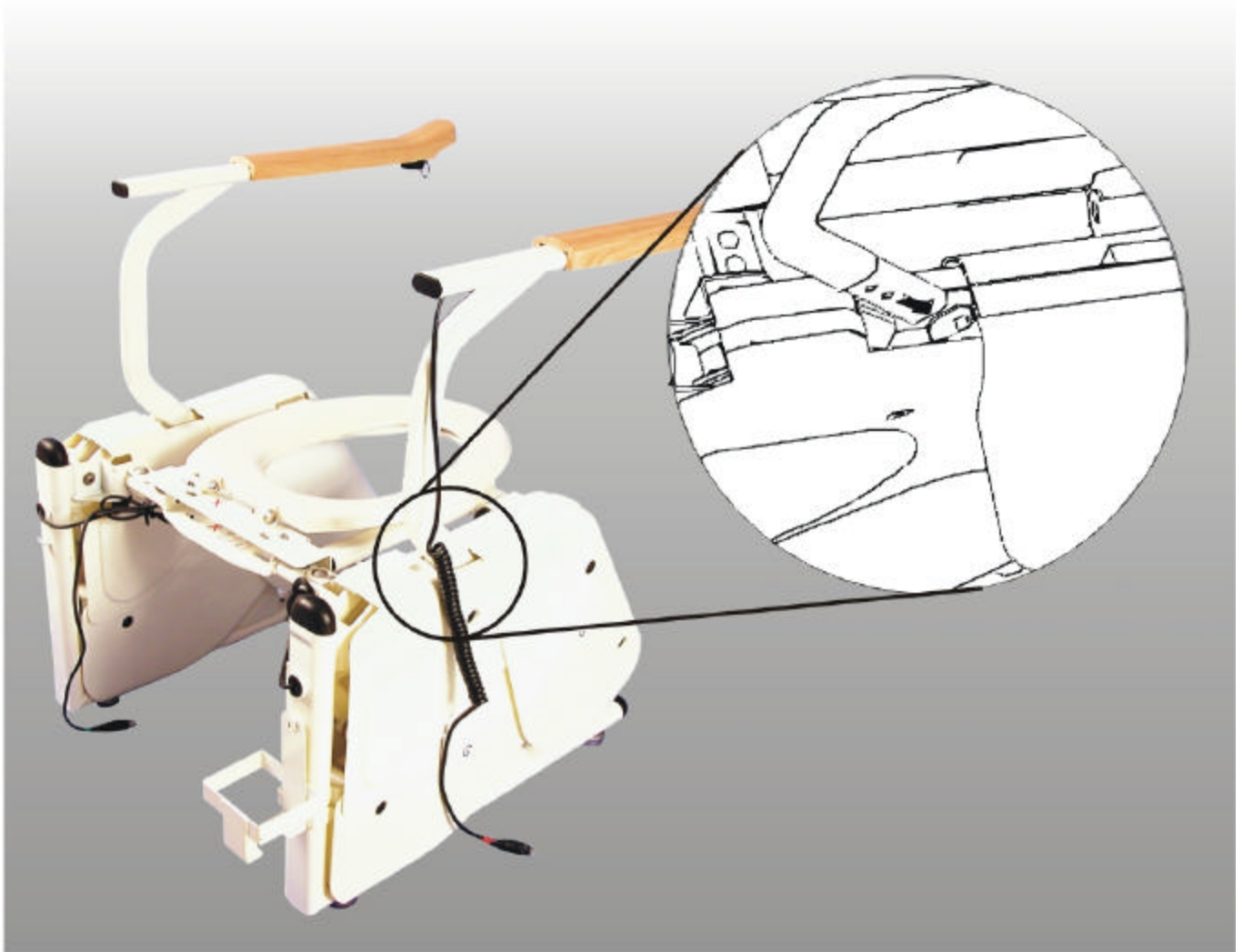


Figure A-3. Armrests

APEXLIFT[®] Cariana Commode Seat Lift

Step 6. For the optional battery control box, omit this step, and accomplish step 6a. For the transformer/control box, connect the control armrest cable to the second connector port from the bottom of the transformer/control box as shown in Figure A-4. Omit step 6a.

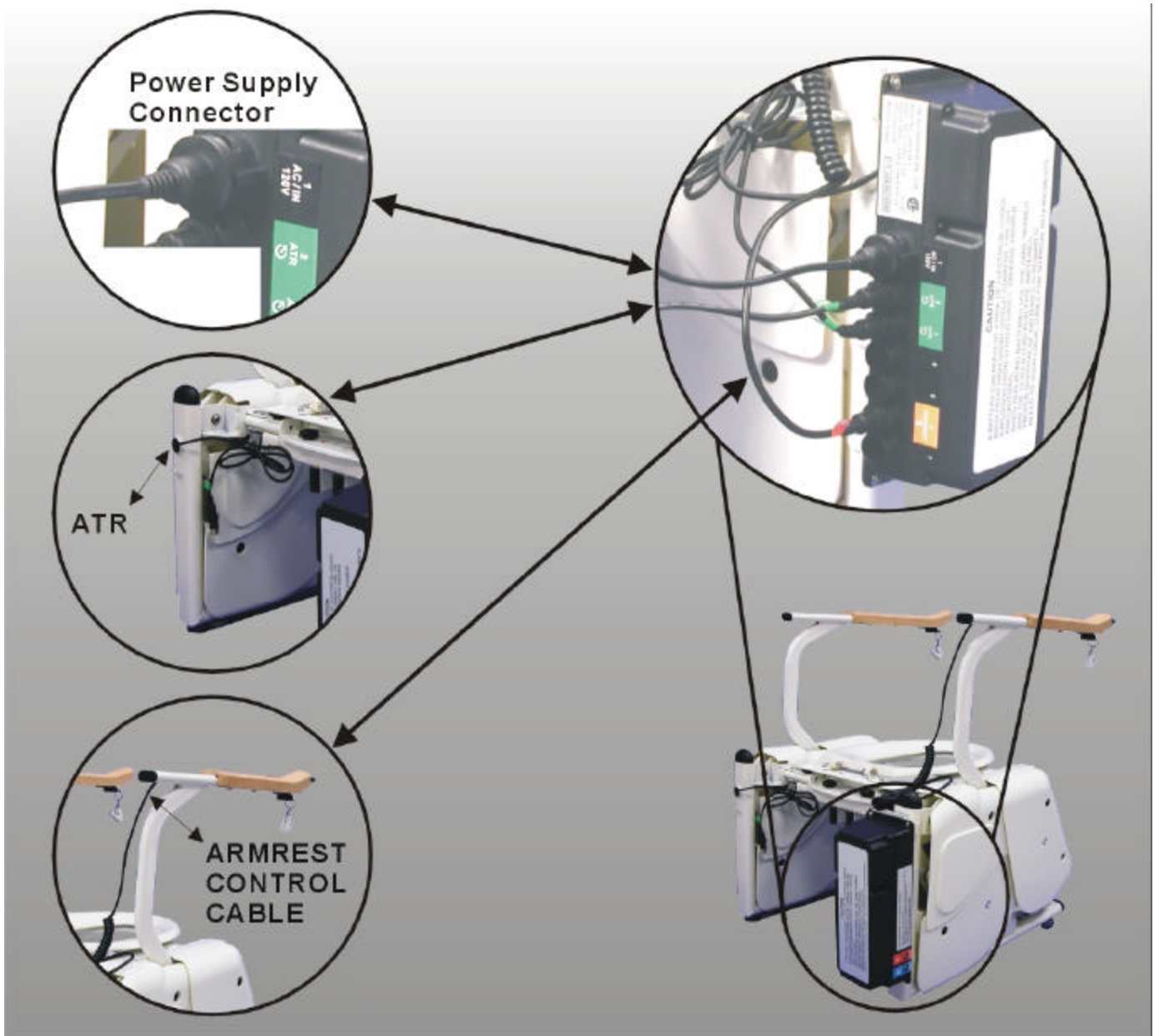


Figure A-4. Control Box Connectors

APEXLIFT[®] Cariana Commode Seat Lift

Step 6a. For the optional battery control box, connect the control armrest cable to the middle connector port on the top of the control box as shown in Figure A-5.

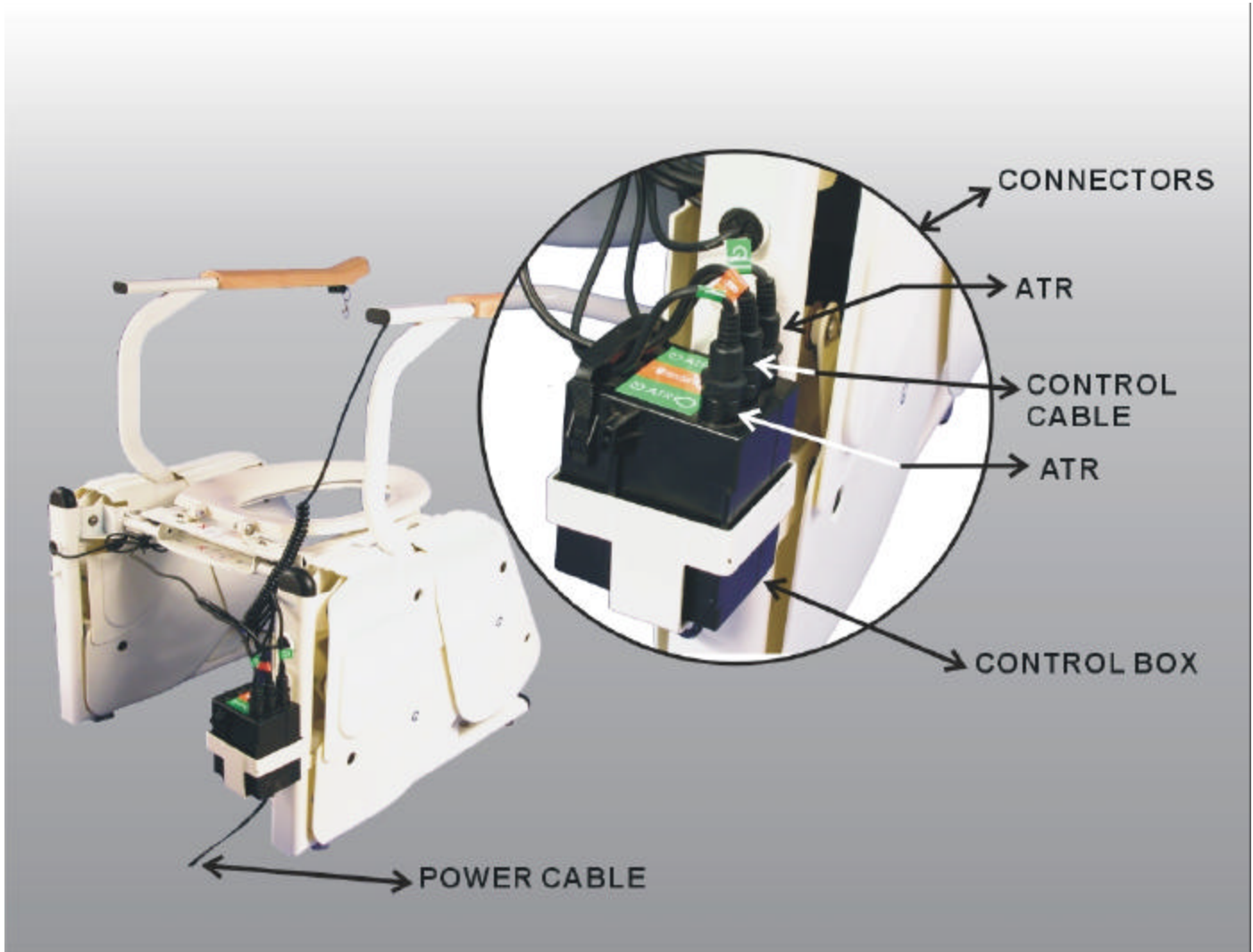


Figure A-5. Battery Powered Control Box Connectors

APEXLIFT[®] Cariana Commode Seat Lift

Step 7. For the optional battery control box, omit this step, and accomplish step 7a. For the transformer/control box, connect the power supply cable connector to the top connector port on the transformer/control box as shown in Figure A-4. Omit step 7a.

Step 7a. For the optional battery pack, hang the battery pack mount bracket on the back of the lift frame mount stud. Place the battery pack inside the mount bracket as shown in Figure A-6. Connect the power cable from the control box to the battery pack.

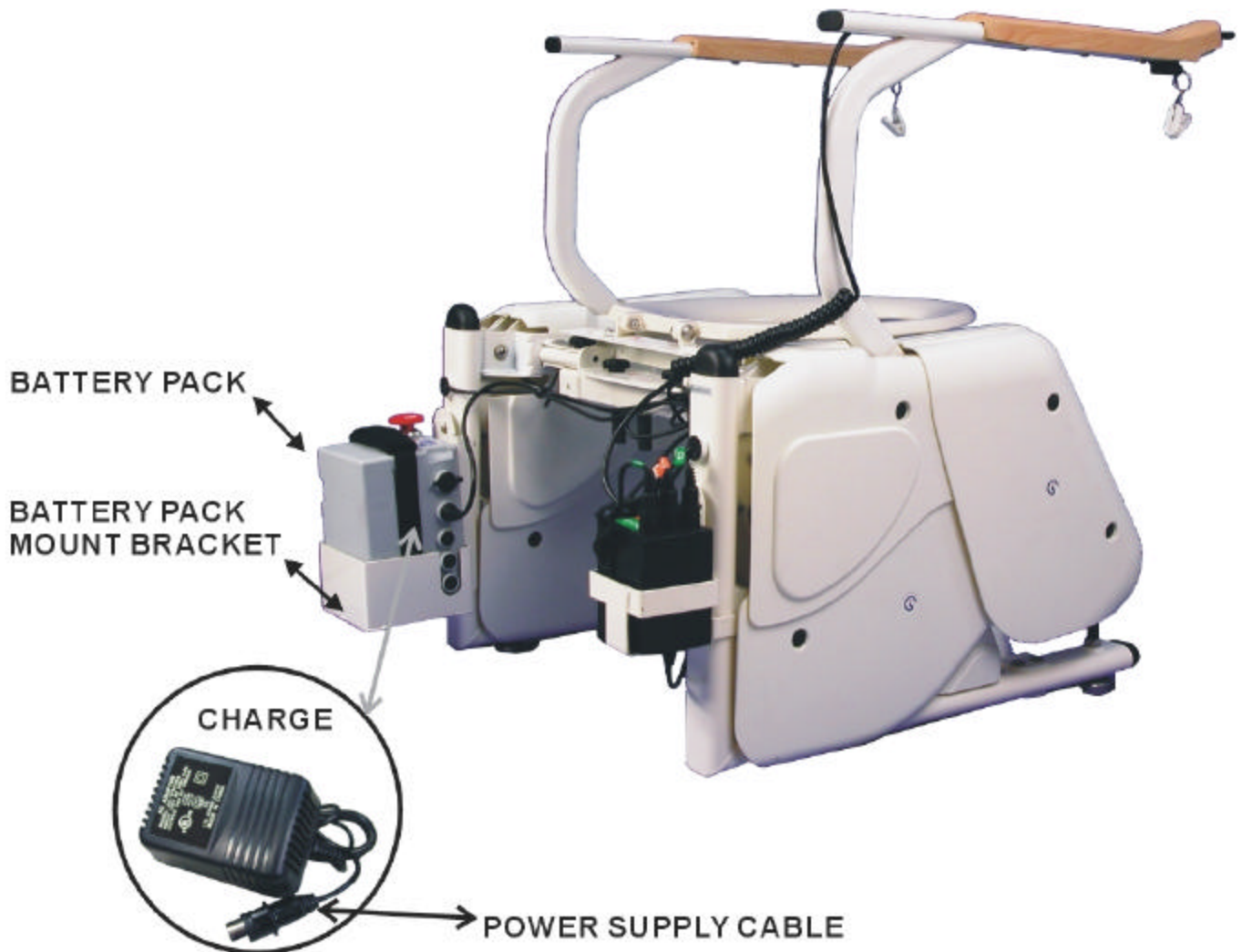


Figure A-6. Battery Pack Mount Bracket

Step 8. For the optional battery control box, omit this step, and accomplish step 8a. Connect the power supply cable from the transformer/control box to an AC outlet. Omit step 8a.

APEXLIFT[®] Cariana Commode Seat Lift

- Step 8a.** For the optional battery pack, connect the charger to the battery pack, and connect the power supply cable from the charger to an AC outlet.
- Step 9.** Press the "up" button on the forward end of the control handle. Keep the button depressed until the armrest mount holes are accessible.
- Step 10.** With the heads to the outside, place the two bolts through the mount bolt holes of the right armrest as shown in Figure A-7. Install the nuts on the bolts, and tighten the nuts on the bolts securely.

CAUTION

DO NOT LOWER THE COMMODE SEAT FRAME UNTIL AFTER THE COMMODE SEAT IS INSTALLED IN STEP 12. THIS IS TO INSURE THAT THE COMMODE SEAT IS ATTACHED TO THE SEAT FRAME ONLY AND NOT TO THE FRAME CROSS STRUCTURE BELOW. IF SEAT MOUNT BOLTS ARE MOUNTED THROUGH THE SEAT FRAME AND THE FRAME CROSS STRUCTURE BELOW IT, DAMAGE TO THE MOTOR WILL OCCUR IF THE LIFT IS OPERATED.

- Step 11.** Repeat step 10 for the left armrest.

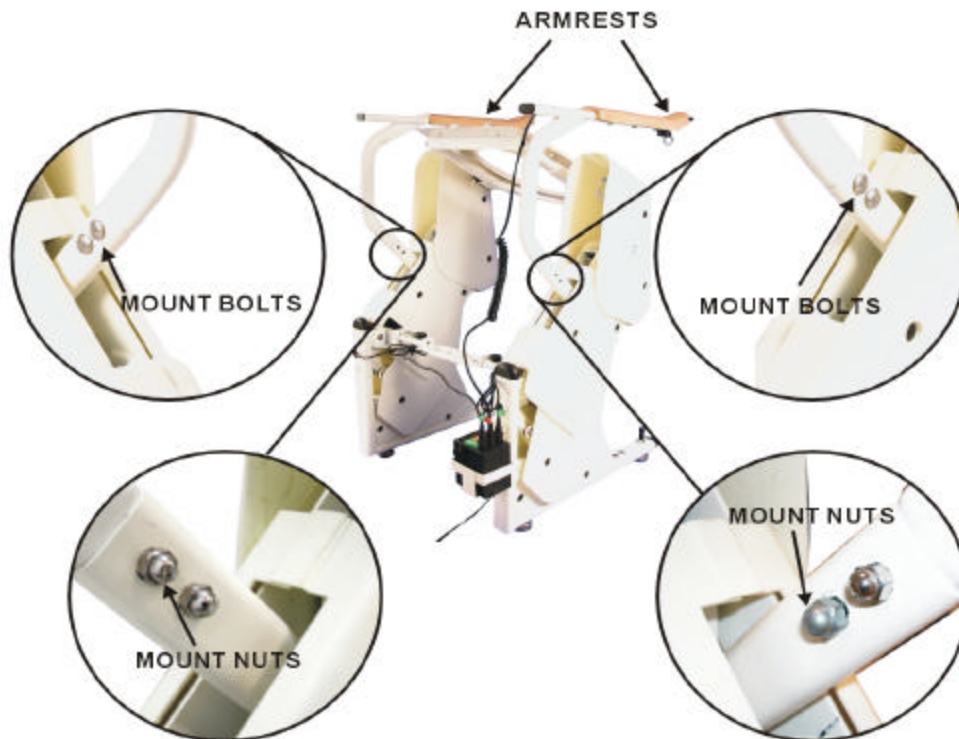


Figure A-7. Armrest Installation

CAUTION

THE TWO (2) NYLON BOLTS USED TO ATTACH THE TOILET SEAT TO THE LIFT MUST BE TRIMMED ONCE FULLY INSERTED IN THE OPENINGS SO THE BOLTS DO NOT CAUSE OBSTRUCTION WHEN LOWERING THE UNIT.

Step 12. If the original commode seat is to be used on the Cariana, omit this step. Place and hold the commode seat in its mounting position on the seat lift frame as shown in Figure A-8. Install the nylon mount bolts and the mount nuts, and tighten them to secure the commode seat hinge to the seat lift frame, see Figure M-4.

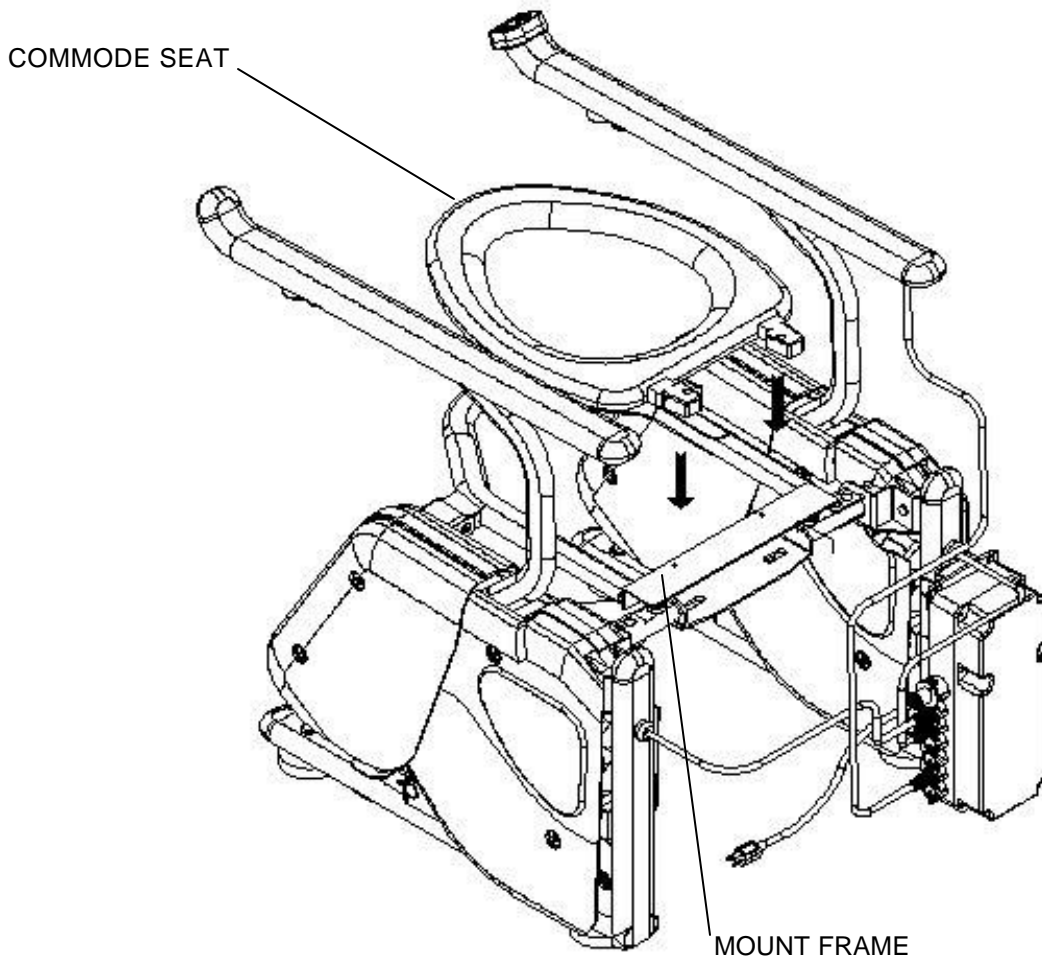


Figure A-8. Commode Seat Installation

APEXLIFT® Cariana Commode Seat Lift

- Step 13.** Press the "down" button on the forward end of the control handle. Keep the button depressed until the lift seat is returned to the sitting position.
- Step 14.** Perform an operational check, and verify that none of the moving parts are rubbing against any other parts. Operate the lift seat with the "up" and "down" control arrows located on the right armrest.
- Step 15.** If the Cariana commode seat lift was assembled in a separate area from where it is to be used, disconnect the electrical power cord, and move the unit to the area it will be used. Complete the following INSTALLATION instructions.

INSTALLATION

- Step 1.** Move the Cariana commode seat lift into its operating position over the commode.

NOTE

If the Cariana is to be equipped with a bedpan instead of being used over a commode, accomplish the BEDPAN MOUNT INSTALLATION in the MAINTENANCE section of this manual before proceeding with the remaining steps of the INSTALLATION procedures.

- Step 2.** Connect the power supply cable from the transformer/control box to an AC outlet. If the unit has the optional battery pack/charger, make certain the battery is charged in accordance with the BATTERY CHARGING procedures in the MAINTENANCE PRACTICES section of this manual.
- Step 3.** If the original commode seat is to be used on the Cariana, remove the seat from the commode.
- Step 4.** Press the "up" button on the forward end of the control handle. Keep the button depressed until the back part of the seat frame is raised approximately 12 inches.

CAUTION

DO NOT LOWER THE COMMODE SEAT FRAME UNTIL AFTER THE COMMODE SEAT IS INSTALLED IN STEP 6. THIS IS TO INSURE THAT THE COMMODE SEAT IS ATTACHED TO THE SEAT FRAME ONLY AND NOT TO THE FRAME CROSS STRUCTURE BELOW. IF SEAT MOUNT BOLTS ARE MOUNTED THROUGH THE SEAT FRAME AND THE FRAME CROSS STRUCTURE BELOW IT, DAMAGE TO THE MOTOR WILL OCCUR IF THE LIFT IS OPERATED.

APEXLIFT[®] Cariana Commode Seat Lift

Step 5. Place and hold the commode seat on the lift frame, and align the seat hinge mount holes with the frame lift mount holes.

CAUTION

THE TWO (2) MOUNT BOLTS USED TO ATTACH THE TOILET SEAT TO THE LIFT MUST BE TRIMMED ONCE FULLY INSERTED IN THE OPENINGS SO THE BOLTS DO NOT CAUSE OBSTRUCTION WHEN LOWERING THE UNIT.

Step 6. If possible, use the new nylon mount bolts and nuts. Install the mount bolts and the mount nuts, and tighten them to secure the commode seat hinge to the seat lift frame. See Figure M-4 in the MAINTENANCE PRACTICES section of this manual.

Step 7. Repeat Step 14 of the ASSEMBLY procedures, and verify that there is clearance between the commode and the moving parts of the Cariana.

Step 8. Complete the HEIGHT ADJUSTMENT AND LEVELING procedures in the MAINTENANCE PRACTICES section of this manual.

Step 9. If the Cariana was assembled in the area it is being used, remove any shipping and packing materials from the area. The Cariana is now ready for use.

TECHNICAL INFORMATION

1. **Weight Unloaded ApexLift[®] Cariana:** 77 lbs. (35 kgs.)
2. **Power Supply:** AC 120V/220V to DC 24V 5 Amps
3. **Maximum Load:** 330 lbs. (150 kgs.)
4. **Height of Arm Support:** 39.7 inches (1010 mm)
5. **Clearance over Commode:** 4.3 inches (110 mm)
6. **Max. Seat Height:** 31.4 inches
7. **Sitting Seat Height:** 16.5 inches (420 mm)
8. **Overall Width:** 22.08 inches (561 mm)
9. **Width of Seat:** 14.2 inches (360 mm)
10. **Depth of Seat:** 16.7 inches (425)

DESCRIPTION AND OPERATION

The lift seat is operated with the control "up" and "down" arrows, located on the forward end of the control armrest. If the user requires assistance for stabilization, it is preferable the user operate the "up" and "down" arrows. If the user is unable to operate the "up" and "down" control arrows, the medical assistant or family member will have to develop a system and possibly practice it with the user several times to ensure smooth operation.

The control armrest can be mounted on the left or the right side of the Cariana. The reasons for a given position of the control arm may vary. The user may be right or left handed; there may be plumbing or cabinetry work around the commode which will not allow the Cariana to be properly positioned unless the control box is on the opposite side of the back of the unit. As a result, the control box and the control arm can be mounted on either side.

The standard Cariana feet can be adjusted and used to level the Cariana unit. The adjustment procedures can be found in the MAINTENANCE PRACTICES section of this manual.

Perform the functional operation of the commode seat lift in accordance with the following:

- a. Use the seat lift controls, and raise the seat to the desired height per Figure D-1 .



Figure D-1. Seat Lift Controls

APEXLIFT[®] Cariana Commode Seat Lift

b. Position the seat under buttocks and lean weight on seat lift, see Figure D-2.



Figure D-2. Lean Weight on Seat Lift

c. Use the seat lift controls, and lower the seat to the desired height, see Figure D-3.



Figure D-3. Lowering Seat Lift

APEXLIFT[®] Cariana Commode Seat Lift

- d. Use the seat lift controls, and raise the seat to the desired height to return to a standing position, see Figure D-4.



Figure D-4. Raising Seat Lift

MAINTENANCE PRACTICES AND INSPECTION CHECK LIST

MAINTENANCE PRACTICES

TRANSFORMER/CONTROL BOX REMOVAL

- a. Disconnect the electrical power supply from the AC outlet.
- b. Disconnect the control box power supply cable from the transformer/control box or from the optional batter pack/charger as shown in M-1.
- c. Disconnect the actuator control cables and the control arm cable from the transformer/control box.
- d. Remove the transformer/control box from the mount stud as shown in M-2.

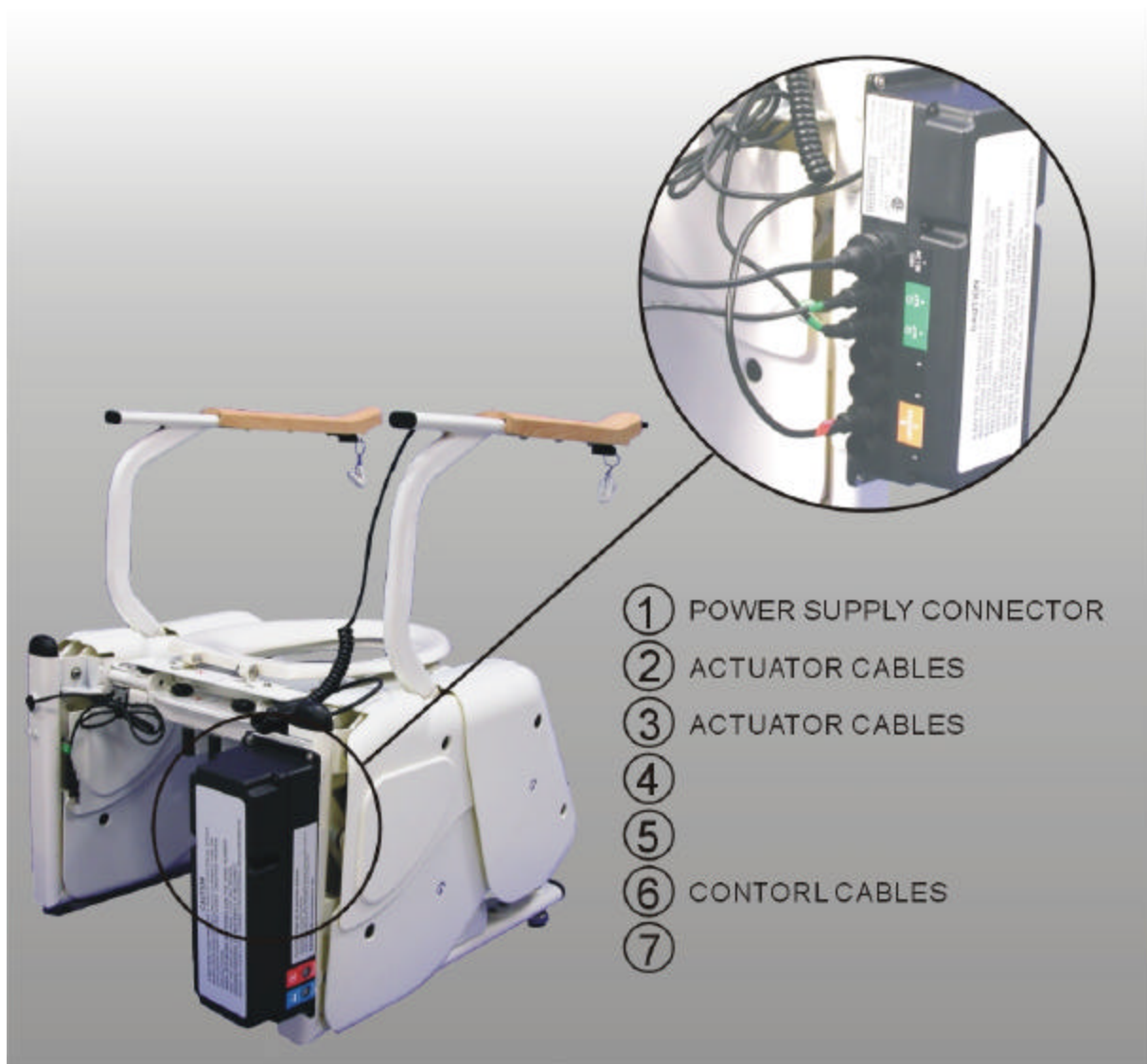


Figure M-1. Transformer/Control Box Connections

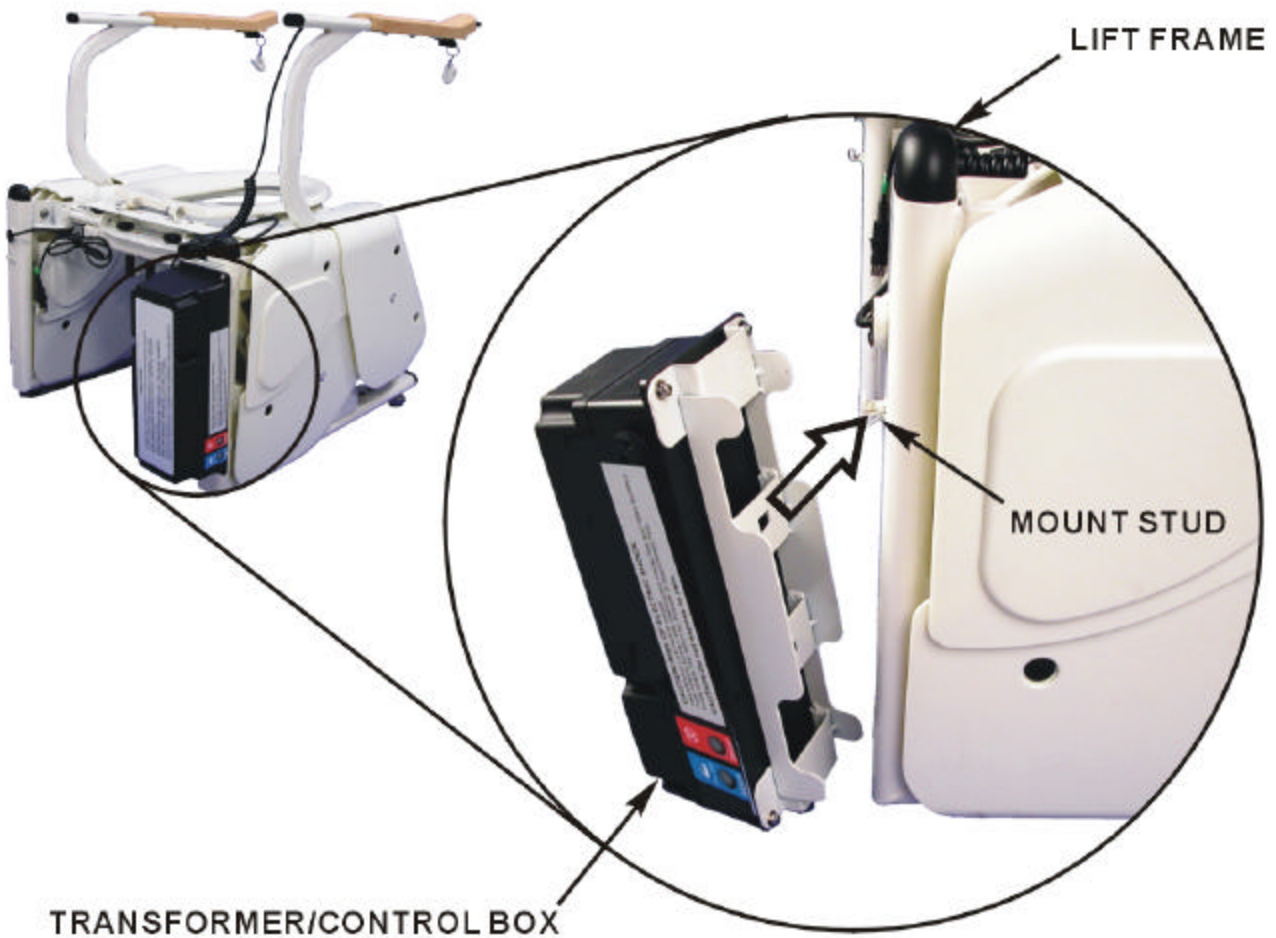


Figure M-2. Transformer/Control Box Mounting

TRANSFORMER/CONTROL BOX INSTALLATION

- a. Place the transformer/control box on the mount stud. See Figure M-2.
- b. Connect the right actuator cable to the third connector port down from the top of the transformer/control box. Push any actuator cable slack back into the side housing. See Figure M-1.
- c. Connect the left actuator cable to the second connector port down from the top of the transformer/control box. Push any actuator cable slack back into the side housing.
- e. Connect the control armrest cable to the second connector port from the bottom of the transformer/control box.
- f. Connect the control box power supply cable to the top connector port of the transformer/control box. If the optional battery pack/charger is being used, connect the power cable from the battery pack/charger to the top connector port of the transformer/control box. See Figure M-1.

- g. Connect the electrical power supply for the transformer or the optional battery pack/charger to the AC outlet.

ARMREST REMOVAL

- a. Press the "up" button on the forward end of the control handle. Keep the button depressed until the armrest mount holes are accessible. See Figure D-1.
- b. If the arm being replaced is the control arm, disconnect the control arm control cable from the transformer/control box.
- c. Remove the armrest mount nuts and bolts from the two mount boltholes of the armrest as shown in Figure M-3.
- d. Remove the armrest from the armrest mount.

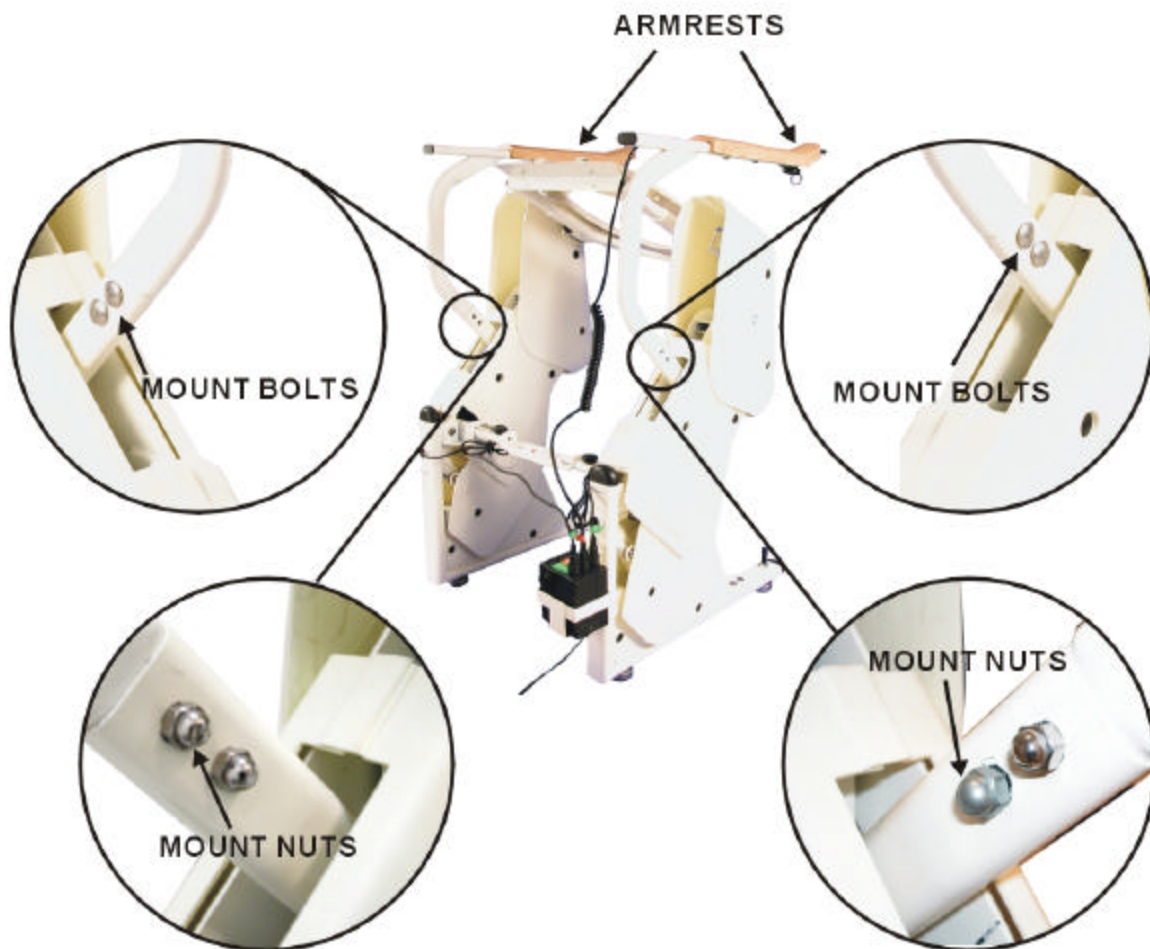


Figure M-3. Armrest Mounting

COMMODE SEAT REMOVAL

- a. Press the "up" button on the forward end of the control handle. Keep the button depressed until the back part of the seat frame is raised approximately 12 inches.
- b. Remove the mount nuts and the mount bolts from the commode seat hinge and seat lift frame, see Figure M-4.
- c. Remove the commode seat from the lift frame.

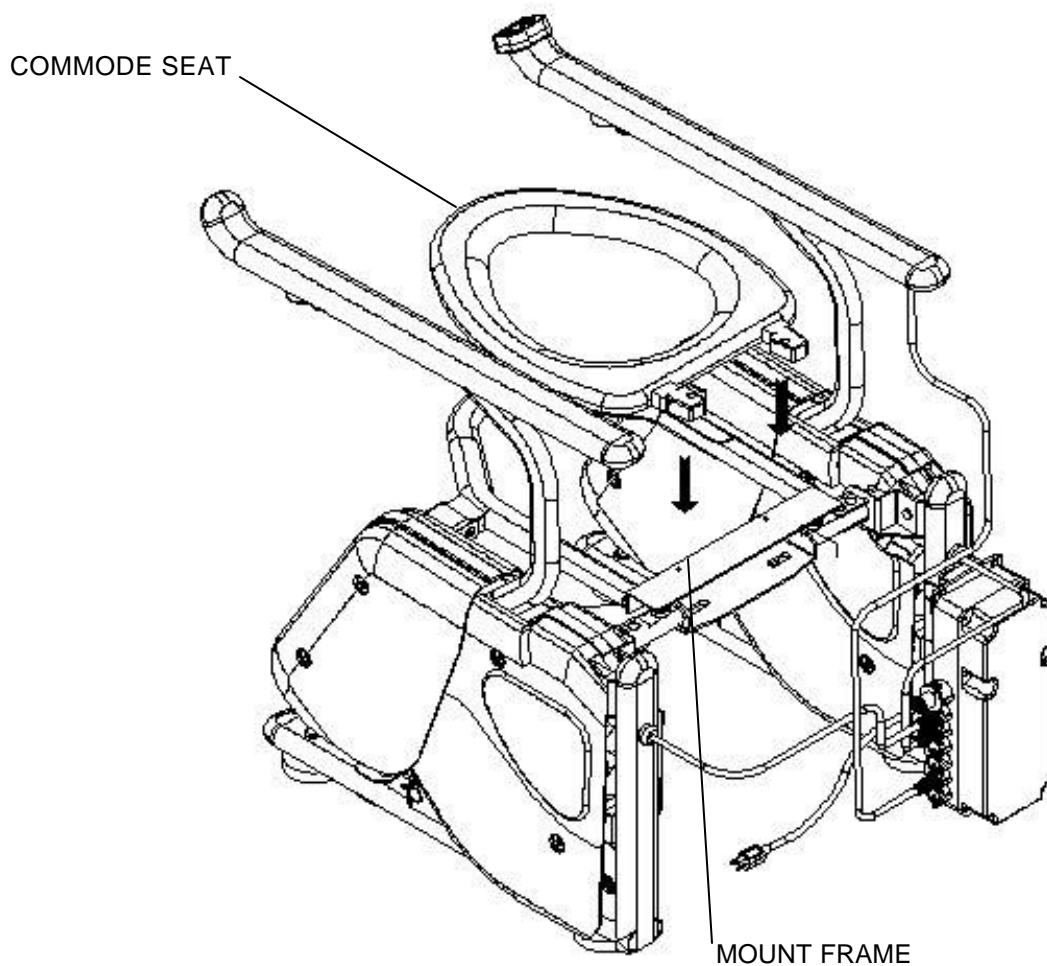


Figure M-4. Commode Seat Installation

COMMODE SEAT INSTALLATION

- a. If the seat lift frame has been lowered, press the "up" button on the forward end of the control handle. Keep the button depressed until the back part of the seat frame is raised approximately 12 inches.

CAUTION

DO NOT LOWER THE COMMODOE SEAT FRAME UNTIL AFTER THE COMMODOE SEAT IS INSTALLED IN STEP "C". THIS IS TO INSURE THAT THE COMMODOE SEAT IS ATTACHED TO THE SEAT FRAME ONLY AND NOT TO THE FRAME CROSS STRUCTURE BELOW. IF SEAT MOUNT BOLTS ARE MOUNTED THROUGH THE SEAT FRAME AND THE FRAME CROSS STRUCTURE BELOW IT, DAMAGE TO THE MOTOR WILL OCCUR IF THE LIFT IS OPERATED.

- b. Place and hold the commode seat on the lift frame, and align the seat hinge mount holes with the frame lift mount holes.

CAUTION

IT IS RECOMMENDED THAT TWO (2) NYLON BOLTS BE USED TO ATTACH THE TOILET SEAT TO THE LIFT. HOWEVER, REGARDLESS OF THE BOLT MATERIAL, THE BOLTS MUST BE TRIMMED DURING THE FIRST INSTALLATION TO PREVENT OBSTRUCTION WHILE LOWERING THE UNIT.

- c. Install the nylon mount bolts and the mount nuts, and tighten them to secure the commode seat hinge to the seat lift frame. See Figure M-4.

BEDPAN MOUNT REMOVAL

- a. Raise the seat lift controls, and raise the seat to the desired height as shown in Figure M-5.



Figure M-5. Bedpan

b. Remove the bedpan from the bedpan mount.

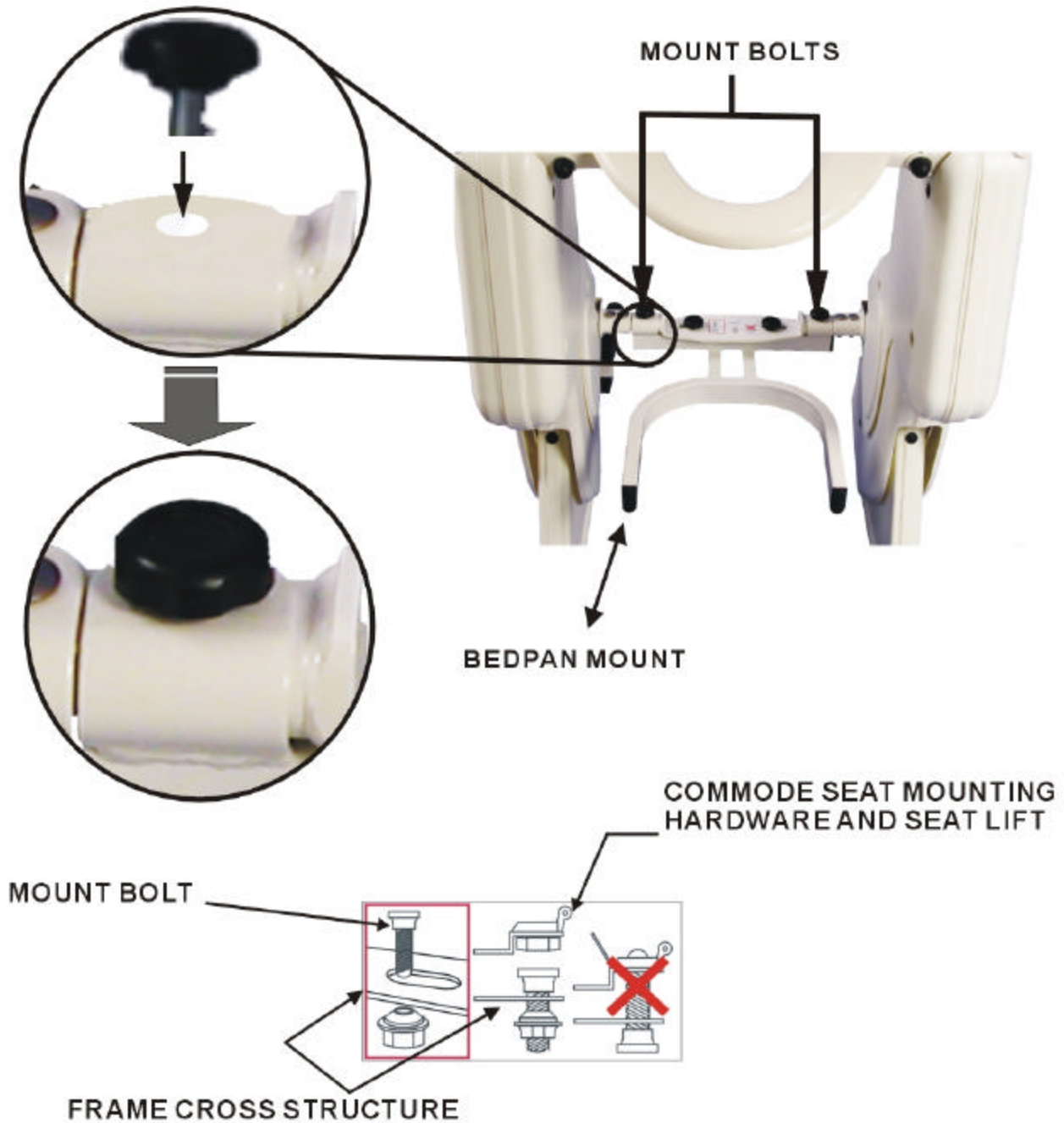


Figure M-6. Bedpan Mount

- c. Remove the two mount bolts, and remove the bedpan mount from the frame as shown in Figure M-6.

BEDPAN INSTALLATION

- a. Place the bedpan mount into the mounting position on the frame, and secure the mount to the frame with the two mount bolts as shown in Figure M-6.
- b. Place the bedpan onto the mount as shown in Figure M-5.
- c. Raise or lower the seat lift with the arm controls to the desired height.

CLEANING

WARNING!

**DISCONNECT THE POWER SUPPLY FROM THE UNIT
OR BATTERY PACK/CHARGER BEFORE CLEANING.**

- a. Clean the surfaces of the commode lift with a mild sanitizing solution that is not detrimental to plastics.
- b. Clean surface with a wet clean cloth. This will remove any residual chemicals.
- c. Dry off all surfaces before returning the unit to service.

HEIGHT ADJUSTMENT AND LEVELING

- a. Loosen the lock nut on each foot as shown in Figure M-7..
- b. Adjust each foot. Unthread the foot to raise the unit to the desired height, or thread the foot in to lower the unit to the desired height.
- c. After the desired height is obtained, place a level across the front part of each armrest. Verify that it is level from right to left. If necessary, adjust the right or left front foot to make level.
- d. Move the level across the back part of each armrest, and verify that it is level from right to left. If necessary, adjust the right or left back foot to make level.
- e. Place the level along the right armrest, and verify that it is level from back to front. If necessary, adjust the right front or right back foot to make level.
- f. Place the level along the left armrest, and verify that it is level from back to front. If necessary, adjust the left front or left back foot to make level.
- g. Repeat steps "c" through "f" until the unit is level on all four positions.
- h. Tighten the lock nut on each foot.
- i. Repeat steps "c" through "f" and make certain the unit is still level on all four positions.

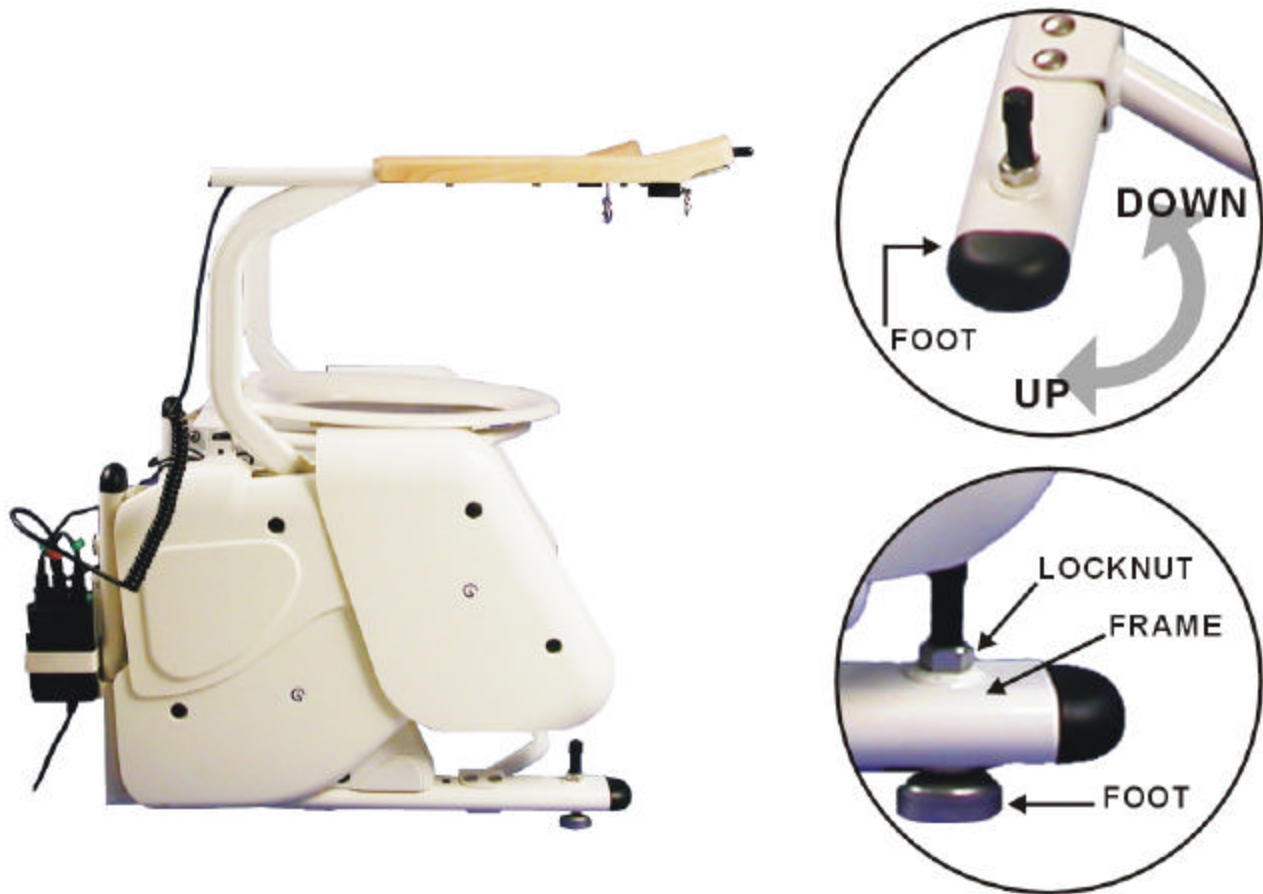


Figure 7. Height Adjustment

OPTIONAL BATTERY PACK/CHARGER

Power Supply

If you have purchased the optional battery pack/charger, your ApexLift[®] Cariana is powered by 24V DC batteries.

- a. The charger should be connected to a **110V** AC outlet at all times for continuous charging of the batteries.

Battery Pack/Charger Removal

- a. Disconnect the 110V AC electrical power supply cable from the battery pack/charger.
- b. Disconnect the control box power supply cable from battery pack/charger.
- c. Remove the battery pack/charger from the mount bracket as shown in M-8.

Battery Pack/Charger Installation

- a. Place the battery pack/charger into the mount bracket see M-8.
- b. Connect the control box power supply cable to battery pack/charger.
- c. Connect the battery pack/charger electrical power supply cable to the 110V AC outlet.

Battery Pack/Charger Mount Bracket Removal

- a. Follow the BATTERY PACK/CHARGER REMOVAL procedure above.
- b. Slide the battery pack/charger bracket up, and remove the bracket off of the mount stud.

Battery Pack/Charger Mount Bracket Installation

- a. Hang the battery pack/charger mount bracket on the back of the lift frame mount stud as shown in Figure M-8.
- b. Follow the BATTERY PACK/CHARGER INSTALLATION procedure above.

Battery Charging

- a. Pull the red RESET button UP.
- b. Insert charging plug into charging port on the control box.
- c. Connect charger to power supply and begin charging.

When the LED light on the battery box is GREEN, the battery is FULLY CHARGED. The battery can remain plugged in at all times. Charging stops once the battery is fully charged.

ALARM INDICATORS

If the two (2) actuators (motors) are not properly connected, the alarm will beep and the unit will stop operating. Once the actuators are correctly plugged in, push the “RESET” button on the **side of the** Control Box once (1x). The seat will reset to its lowest position.

APEXLIFT[®] Cariana Commode Seat Lift

The alarm will also beep when the battery is not fully or properly charged, if the battery is dead/weak, or if the user's weight exceeds the safe working load. **Stop alarm from beeping by press the "ALARM" button.**

To fully reset the unit, move the seat to the lowest position, then press the **"RESET"** button on the Control Box twice (2x). This will cause the unit to complete one cycle thereby resetting the memory on the pc board.

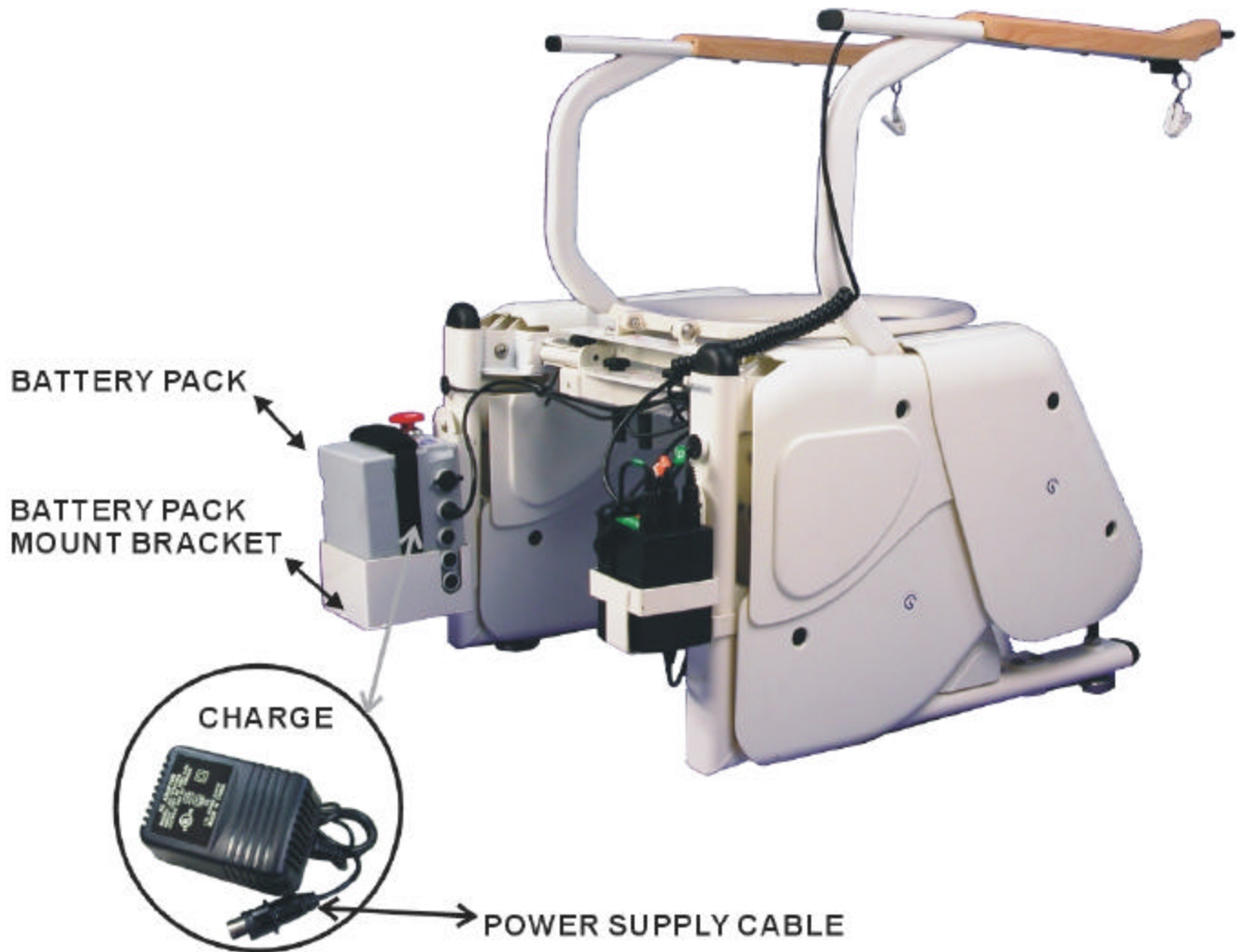


Figure M-8. Battery Pack/Charger

CAUTION

PREVENT UNNECESSARY WEAR OR DAMAGE TO THE BATTERY BY BECOMING FAMILIAR WITH THE FOLLOWING:

MAINTENANCE CHECKS

1. The operator of the lift shall inspect the ApexLift® Cariana weekly before use.
 - a. Check all bolts for tightness.
 - b. Make sure that all seat lift parts are in place.
 - c. Make sure that feet are still properly secure.
 - d. Make certain that all other necessary assistance items (i.e. slings, and wheelchairs, etc.) are ready for use.

2. At least once a month, the lift mechanism should be thoroughly inspected by a person qualified to recognize any signs of wear, loose bolts, or other loose parts.
 - a. Replace any worn parts immediately.

INSPECTION CHECK LIST

<i>ITEM</i>	<i>In the Beginning</i>	<i>Weekly</i>	<i>Monthly</i>
1. Lift Seat: a. Check that seat and lift mechanism is properly secured.			
2. Lift Mechanism: a. Check lift mechanism for damage, bending, or deflection. b. Check lift mechanism for improper contact with other parts, looseness, or wear.			
3. Arm Supports: a. Check the arm supports for damage, bending, or deflection.			
4. Cleaning: a. When needed.			
5. Actuator and Power Supply: a. Check that the actuator and power supply module are firmly affixed to the mount frame behind the access panel. b. Check that the pins are firmly affixed between the actuator and the lift mechanism. c. Check that the power cord for the actuator and power supply module are not loose or			

chafed.			
6. Cross Bar: a. Inspect bolts for proper connection. b. Inspect for damage, bending, and deflection.			

TROUBLE SHOOTING

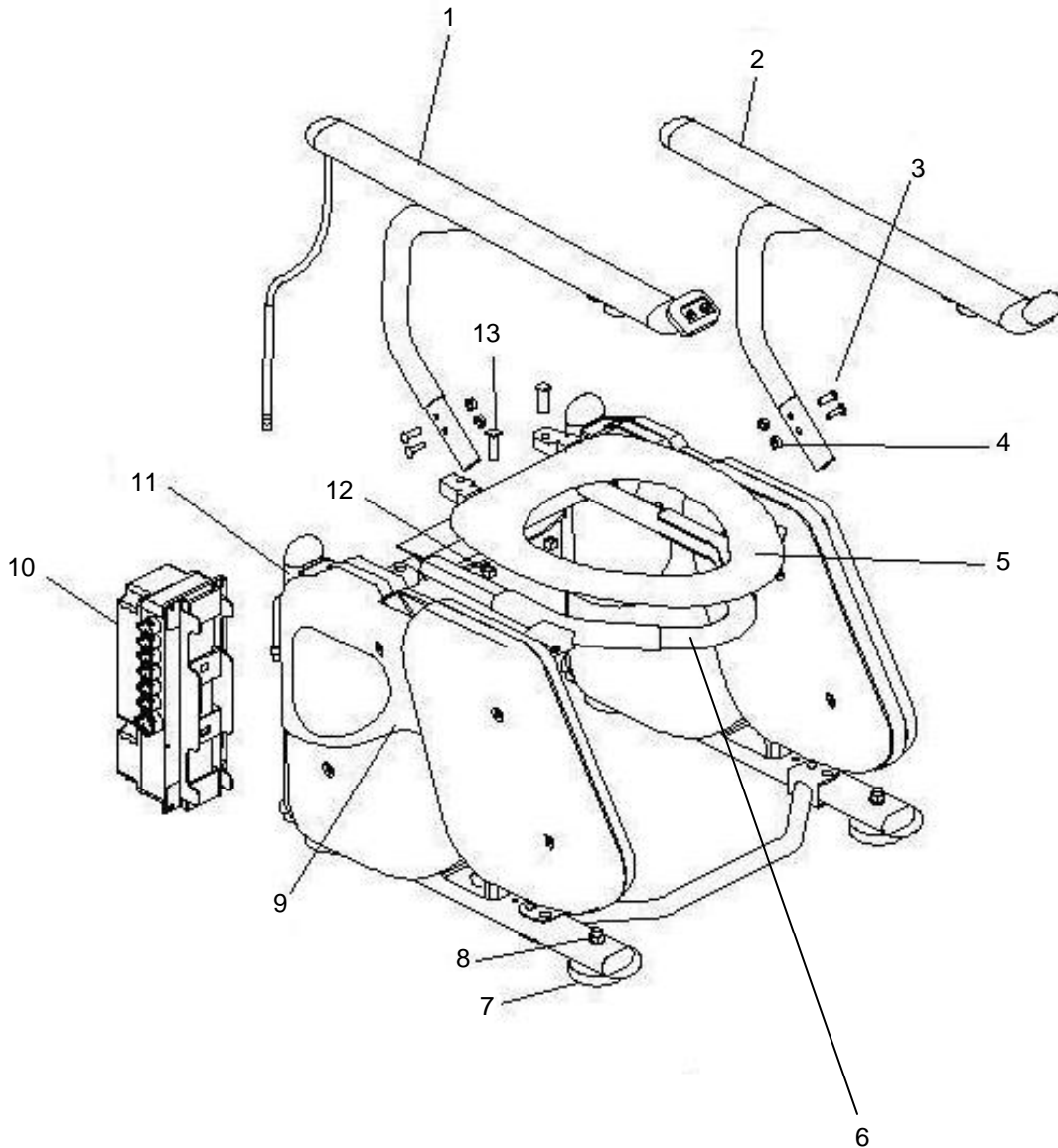
Symptom:	Corrections:
Lift does not work.	<ol style="list-style-type: none"> 1. Check connection between power supply and plug in. 2. Check connection between the actuator and the power supply. 3. Contact dealer if problem persists.
Stop-and-Run while lifting or lowering user.	<ol style="list-style-type: none"> 1. Check socket for power cord plug-in. 2. Check power cord. 3. Contact dealer if problem persists.
Cannot lift user up.	<ol style="list-style-type: none"> 1. Check actuator. 2. Contact dealer.

OPTIONAL BATTERY TROUBLE SHOOTING

Symptom:	Corrections:
Lift does not work.	<ul style="list-style-type: none"> • Check connection between the actuator and the control box. • Check connection between control arm cable & control box. • Check connection of the batteries in control box.

If any problem could not be solved, please contact the dealer for assistance.

**ILLUSTRATED PARTS LIST
TRANSFORMER OPERATED MODEL**

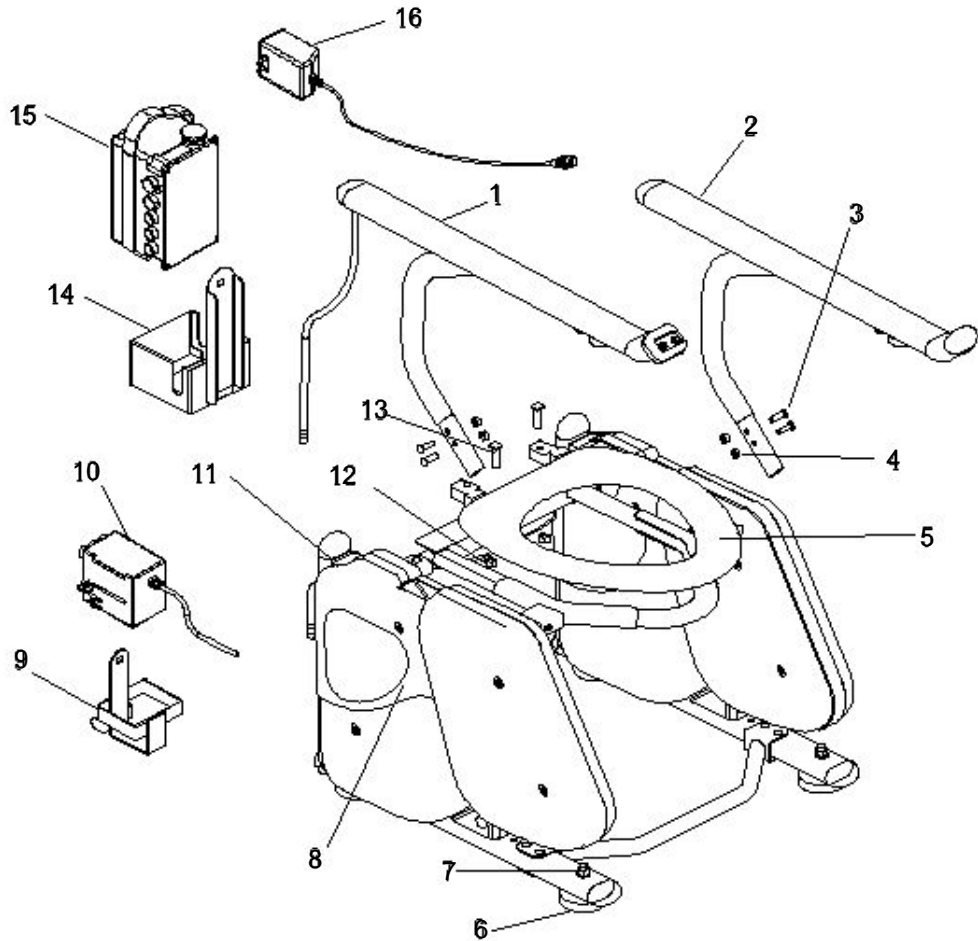


. Figure P-1. Cariana Commode Seat Lift With Transformer/Control Box

**PARTS LIST
TRANSFORMER OPERATED MODEL**

Item	Description	Quantity Per Assembly
1	• ARMREST WITH HAND CONTROL	1
2	• ARMREST WITHOUT HAND CONTROL	1
3	• ARMREST MOUNT BOLT (TWO PER ARMREST)	4
4	• ARMREST MOUNT NUT (TWO PER ARMREST)	4
5	• COMMODE SEAT (NOT SUPPLIED)	1
6	• SEAT SUPPORT FRAME	1
7	• HEIGHT ADJUSTABLE FOOT	4
8	• ADJUSTABLE FOOT LOCK NUT	4
9	• PLASTIC PANEL	1
10	• CONTROL AND TRANSFORMER BOX	1
11	• HANGING BRACKET	1
12	• COMMODE SEAT MOUNT NUTS (NOT SUPPLIED)	1
13	• COMMODE SEAT MOUNT BOLTS (NOT SUPPLIED)	2

**ILLUSTRATED PARTS LIST
BATTERY OPERATED MODEL**



. Figure P-2. Cariana Commode Seat Lift With Battery and Control Box

**PARTS LIST
BATTERY OPERATED MODEL**

Item	Description	Quantity Per Assembly
1	• ARMREST WITH HAND CONTROL	1
2	• ARMREST WITHOUT HAND CONTROL	1
3	• ARMREST MOUNT BOLT (TWO PER ARMREST)	4
4	• ARMREST MOUNT NUT (TWO PER ARMREST)	4
5	• COMMODE SEAT (NOT SUPPLIED)	1
6	• HEIGHT ADJUSTABLE FOOT	4
7	• ADJUSTABLE FOOT LOCK NUT	4
8	• PLASTIC PANEL	1
9	• CONTROL BOX HANGING BRACKET	1
10	• CONTROL BOX	1
11	• HANGING HOOK	1
12	• SEAT SUPPORT FRAME	1
13	• COMMODE SEAT MOUNT BOLTS & NUTS (NOT SUPPLIED)	2
14	• BATTERY BOX HANGING BRACKET	1
15	• BATTERY BOX	1
16	• CHARGER	1

TERMS AND CONDITIONS OF PURCHASE

RECEIVING OF MERCHANDISE

1. The customer should inspect merchandise shipped from Apex Dynamics or their dealers for damages and missing items. Claims should be filed within two working days by calling our Customer Service Department at **1-800-742-0453**.
2. Customer should refuse any shipment if the packaging appears to be badly damaged. Customer should call Apex Dynamics' Customer service to report the rejection and arrange for a new shipment.
3. If the merchandise was found damaged upon opening the package, the customer is responsible for filing a damage claim with the shipper. Customer should also report the damage by calling the Apex Dynamics' Customer Service Department and ask for assistance.

RETURN AND EXCHANGE POLICY

Please call our Customer Service Department with questions regarding your purchase or any technical information that we can assist you with. Apex Dynamics has a no return policy and all sales are final. In the rare circumstance that a return is authorized, Apex Dynamics Healthcare Products reserves the right to determine whether or not the equipment will be subject to a restocking fee and the applicable percentage. Any items returned without pre approval will not be accepted. Returned merchandise must be shipped freight pre-paid by the customer. Apex Dynamics will not be responsible for any, loss or damage of such returned merchandise. Merchandise returned must be accompanied by a copy of the proof of original purchase and a detailed description of the problem encountered.

WARRANTY OF MERCHANDISE

1. ApexLift[®] Cariana carries a twelve (12) months limited warranty to the original purchaser against manufacturing defects. Warranty is void upon transfer of the merchandise.
2. The limited warranty does not cover any misuse, abuse or modification to merchandise by person not authorized by Apex Dynamics.

SERVICE POLICY

For All Merchandise Returned for Service:

1. Customer should refer to the Owner's Manual before contacting Apex Dynamics or its authorized dealer for technical assistance.
2. If the merchandise is to be returned for service, customer should call the Apex Dynamics' Customer Service at **1-800-742-0453** to **obtain a Return Authorization (RA) number**.
3. **Customer should return the merchandise in its original package, with the RA number clearly written below the recipient's address, and with freight prepaid.** A detail description of the problem and a daytime telephone number should be provided for better service.
4. For service within the warranty period, customer should include a copy of proof of original purchase.
5. For service after the warranty period, a service fee and the related cost of parts will be charged to the customer. Payments of the service should be prepaid before the repaired merchandise is released.

For any question concerning Apex Dynamics' products and services, please call our Customer Service Department at **1-800-742-0453**.

LIMITED WARRANTY

The ApexLift[®] Cariana you purchased is guaranteed by Apex Dynamics Healthcare Products, L.L.C. (“Apex Dynamics”) to be free from defects in material and workmanship under normal use and service. The warranty period for this product is twelve (12) months from the date of purchase by the original purchaser. This warranty shall be voided upon transfer of ownership of this product. Apex Dynamics agrees to repair or replace this product at our option and at no charge within the warranty period providing that: the product delivered to Apex Dynamics or its Authorized Service Center is in its original packaging or equivalent, it is fully insured, it is shipped with all charges prepaid, and it is proven to Apex's consent to be defective. The repaired or replacement unit shall be warranted for a period equal to the balance of the defective unit. A handling charge of \$50.00 will be applied to any returned product that is not defective. For warranty service, please contact the dealer from whom you purchased your Apex Dynamics product. You may also contact Apex Dynamics ([1-800-742-0453](tel:1-800-742-0453)) should warranty service not be available from your dealer. However, you should never return the product to your dealer or to Apex Dynamics at any time without verbal consent of either party. To ensure best service to our customers, Apex requires the following information to be included with the returned unit:

1. Model Name/Number and Serial Number attached on the packaging.
2. Proof of purchase i.e. a copy of the original invoice from either Apex or its dealer.
3. A return Authorization number (RA#) obtained by calling Apex Dynamics prior to the return of the product. The RA# shall be clearly indicated on the outside of the packaging.
4. A detailed description of the problem and its symptoms on a note.

This warranty shall not apply to any product, which has been repaired or altered in any way so as, in our judgment, to affect its functionality and durability. Nor shall this warranty apply to any product subject to abuse, misuse, negligence or accident, improper maintenance, improper installation, nor to any product used with other parts, components and/or accessories with quality and/or specifications incompatible with this product. This warranty does not cover products that have been impaired by occurrences considered Acts of God over which Apex Dynamics has no control. This warranty shall also be voided if any required periodic maintenance, if applicable, has not been properly performed on this product.

This warranty and remedies presented above are exclusive and in lieu of all other express or implied warranties. No other representations or claims shall be binding on or obligate Apex Dynamics in any way. Any warranty applicable to this product is limited to the period described above. In no event will Apex be liable for any special, incidental, or consequential damages, loss of revenue, or cost of replacement goods, resulting from the use or malfunction of this product to the associated equipment on which it is used. This warranty gives specific legal rights and you may also have other rights, which vary from state to state.



Apex Dynamics Healthcare Products, L.L.C.

310 West Hightower Drive

Suite 105

Dawsonville, GA 30534

U. S. A.

Telephone Number: 706-265-4024

Fax Number: 706-265-6367

Toll Free: 1-800-742-0453

E-mail: info@apexdynamics.com

Web Site: www.apexdynamics.com